



Electric motors

H17RL Series

Low voltage compact frame big power electric motors

Powerful, efficient and flexible...

Technical catalogue



Technical characteristics for H17RL series

Basic form of electric motor

Protection class	IP55
Cooling method	cast iron
Frame number range	H315 - 560
Efficiency	IE3, IE4
Power range	132 - 2500 KW
Insulation class	F class
Working system	S1
Ambient temperature	-20 - +40°C
Installation form	B3, B35, V1
Direction of rotation	400/690 V, 690/1200 V, (or 380/660, 660/1120 V)
Frequency	50 Hz (60 Hz can be derived or specified frequency)

- In indoor places without dust, IP23 motors can be used to reduce the size of the motor and reduce the procurement cost;
- Specific winding design can support multiple voltages (50 Hz or 60 Hz);

The use environment of the motor

- The altitude does not exceed 1000 m (the environment for use at the specified altitude can be derived);
- Ambient air humidity: the monthly average maximum relative humidity is 90%, and the average temperature is not higher than 25 °C;
- Environmental place: no flammable gas, no dust place, "W" type can be derived for outdoor environment, "TH" type for humid tropical environment, "WTH" type for outdoor humid tropical environment, "WF1" type for outdoor moderate corrosion protection, etc.

Power supply for the motor

- Allowable voltage fluctuation +5 %, frequency fluctuation $\pm 2\%$, combined voltage and frequency fluctuation +5 %;

The structure of the motor

- The base and end cover of the motor are made of resin sand, which is beautiful and elegant;
- The motor is equipped with a non-stop oil injection and discharge device;
- The motor can be equipped with bearing with bearing temperature measurement PT100; winding temperature measurement PT100, PTC, moisture-proof heater and other accessories.



Quality management and certificates



VYBO Electric is a modern High-tech energy saving company that pays high attention to quality, environment, safety and precision and efficiency of work and energy in production. Therefore, it holds a lot of certificates and quality control systems. **Our priority is quality control.**

Basic certificates include:

ISO9001

The primary task of the ISO 9001 standard is to focus on system management and quality management in the organization. The satisfaction of the customer and the fulfillment of his requirements, which are specified in contracts, orders, or technical drawings, are in the first place. The quality management system is linked to all processes in the company. The standard focuses on the management of human and financial resources, on the stability of infrastructure, including buildings, transport, hardware, software and other communication or information technologies. An important part is also the planning of production and services, the management of the purchasing process, but also the management of non-conforming products.



ISO14001

The main priority of the ISO 14001 standard is to identify and understand the environmental aspects and activities that are related to the entire infrastructure of the company and, based on this, to regulate the environmental impact on the environment.

In its scope, the ISO 14001 standard creates the conditions for determining environmental goals and plans, the fulfillment of which is examined at regular intervals by top management and also by an independent body during internal audits.

This standard is intended for all organizations and companies that consider environmental protection as their primary goal.

The benefit of the standard for society is mainly:

- control over the environmental impact on the environment
- control over produced emissions and waste
- saving material and energy
- prevention of accidents
- compliance of the company's activities with legal requirements
- zero fines for environmental behavior
- creation of a good reputation and prestige of the company



The ISO 45001

Specification (formerly known as OHSAS 18001) is an internationally recognized standard that declares compliance with the principles of a safe enterprise, managing risks at work and protecting the health of workers during work. It does not only concern danger and accidents, but also emphasizes other aspects such as the good condition and mental well-being of the employee.

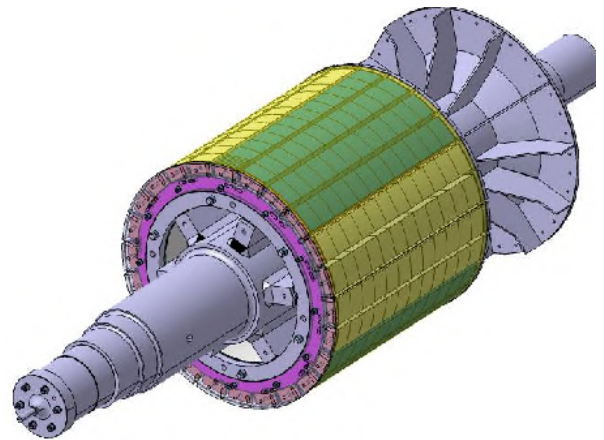
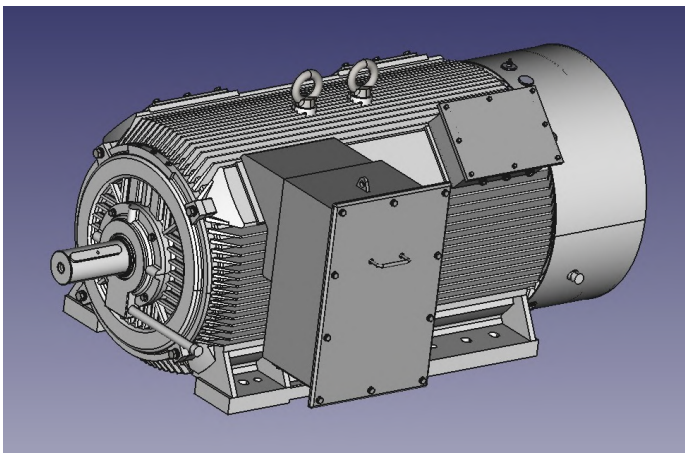
The certificate is held in Slovakia as STN ISO 45001:2019 and is under the title Management systems of safety and health protection at work. Requirements with guidance for use. It replaces the STN OHSAS 18001 standard.

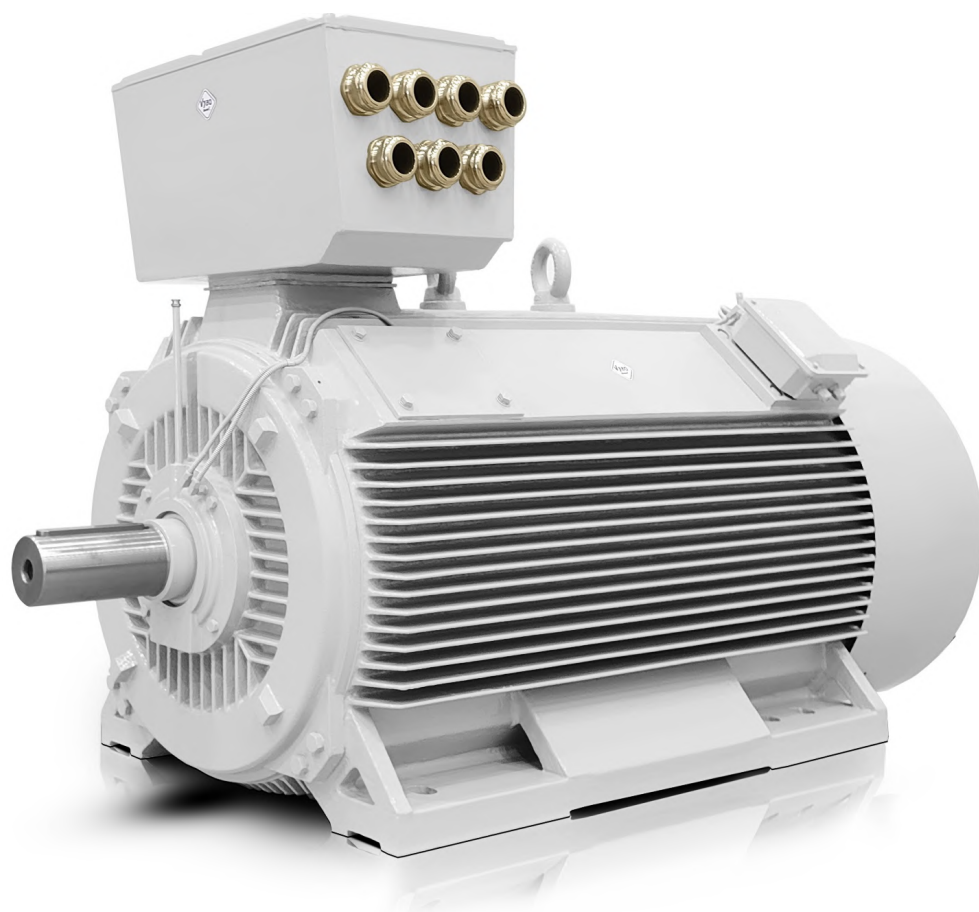


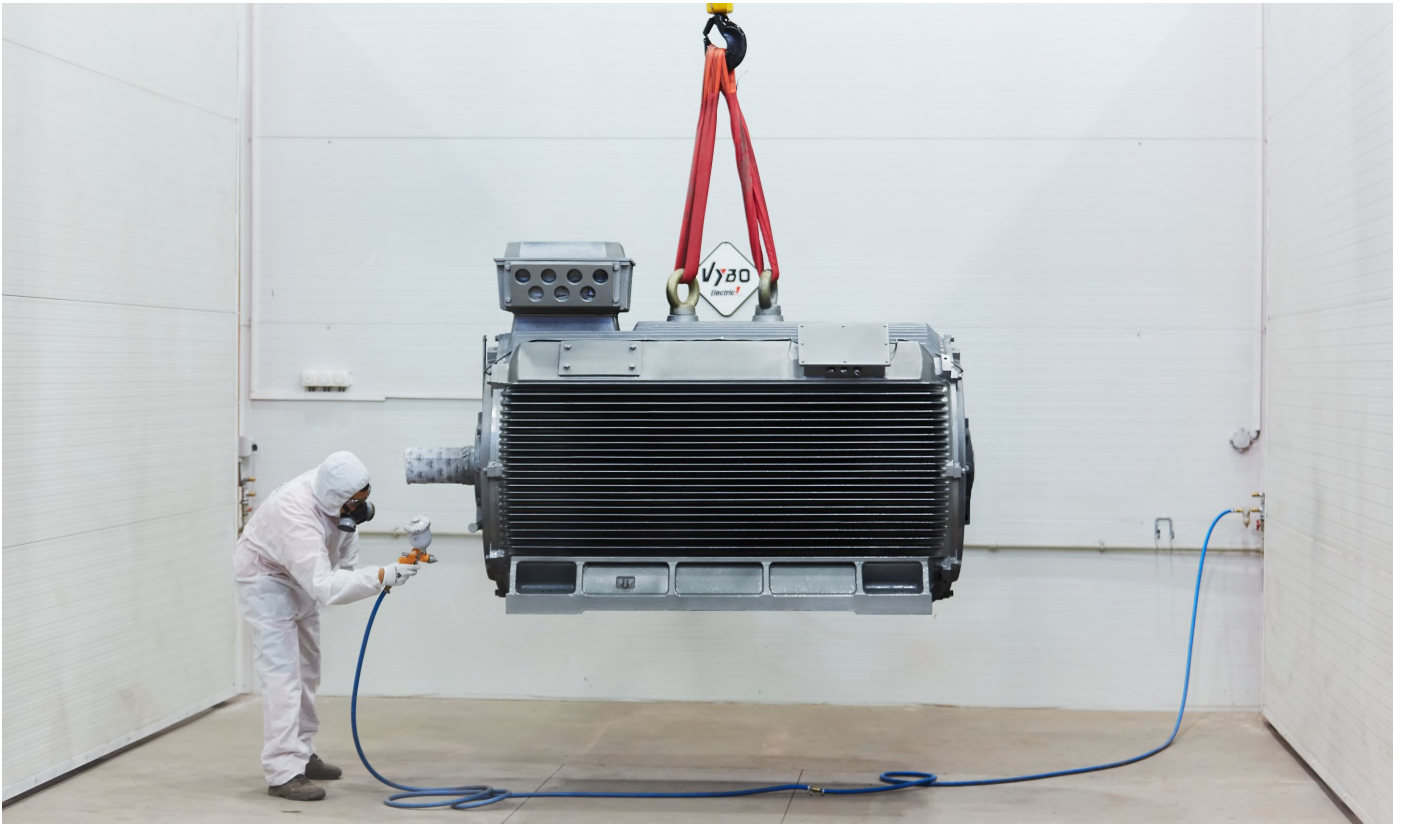
ISO50001

Energy management systems Energy efficiency help organizations save money, save energy resources and also help to prevent climate change. ISO 50001 encourages organizations in all sectors to use energy more efficiently through the development of an energy management system. The international standard ISO 50001: 2011 specifies the requirements for building, maintaining and improving the energy system. It aims to enable organizations to implement a systematic approach that will help achieve lasting improvements in energy efficiency, energy use and consumption.









Technical data H17RL

Motor type	Rated Power		Rated Speed	Efficiency	Power Factor	Current			Torque			Moment of inertia (J) Kg-m ²	Approx WT Kg
	KW	HP	r/min	η	cos Φ	Full Load 400 V A	Full Load 690 V A	Locked Rotor %FLC	Full Load Kg-m	Locked Rotor %FLT	Pull Out %FLT		
H17RL-315X1 -02P	220	295	2978	95,8	88	377	218	700	72	150	200	2,2	1580
H17RL-315X2-02P	250	335	2978	95,8	88	428	248	700	82	150	200	2,4	1610
H17RL-315X3-02P	280	375	2978	95,8	88	479	278	700	92	150	200	2,8	1700
H17RL-315X4-02P	315	420	2978	95,8	88	539	313	700	103	150	200	2,8	1900
H17RL-355X1 -02P	355	475	2978	95,8	89	601	348	700	116	140	200	5	2250
H17RL-355X2-02P	400	535	2978	95,8	89	677	393	700	131	140	200	5,3	2300
H17RL-355X3-02P	450	605	2978	95,8	89	762	442	700	147	140	200	5,9	2470
H17RL-355X4-02P	500	670	2978	95,8	89	846	491	700	164	140	200	6,4	2580
H17RL-400X1 -02P	560	750	2980	95,8	89	948	550	750	183	120	200	8	3350
H17RL-400X2-02P	630	845	2980	95,8	89	1067	618	750	206	120	200	9	3500
H17RL-400X3-02P	710	950	2980	95,8	89	1202	697	750	232	120	200	11	3680
H17RL-450X1 -02P	800	1070	2985	95,8	89	1354	785	750	261	110	200	29	5100
H17RL-450X2-02P	900	1205	2985	95,8	89	–	883	750	294	110	200	33	5300
H17RL-450X3-02P	1000	1340	2985	95,8	89	–	981	750	326	110	200	38	5600
H17RL-315X1 -04P	220	295	1485	96	87	380	220	700	144	150	200	3	1690
H17RL-315X2-04P	250	335	1485	96	87	432	250	700	164	150	200	3,5	1760
H17RL-315X3-04P	280	375	1485	96	87	484	281	700	184	150	200	4	1870
H17RL-315X4-04P	315	420	1485	96	87	544	316	700	207	150	200	4,5	2000
H17RL-315X5-04P	355	475	1485	96	87	614	356	700	233	150	200	5	2090
H17RL-315X6-04P	400	535	1485	96	87	691	401	700	262	140	200	10	2320
H17RL-355X1 -04P	400	535	1485	96	87	691	401	700	262	140	200	10	2420
H17RL-355X2-04P	450	605	1485	96	87	778	451	700	295	140	200	11	2580
H17RL-355X3-04P	500	670	1485	96	87	864	501	700	328	140	200	12	2800
H17RL-355X4-04P	560	750	1485	96	87	968	561	700	367	120	200	13	3000
H17RL-400X1 -04P	560	750	1488	96	87	968	561	700	367	120	220	16	3250
H17RL-400X2-04P	630	845	1488	96	88	1076	624	700	413	120	220	19	3510
H17RL-400X3-04P	710	950	1488	96	88	1213	703	700	465	120	220	22	3790
H17RL-450X1 -04P	800	1070	1488	96	88	1367	792	750	524	110	220	34	4900
H17RL-450X2-04P	900	1205	1490	96	88	–	891	750	589	110	220	37	5200
H17RL-450X3-04P	1000	1340	1490	96	88	–	990	750	654	110	220	40	5500



Technical data H17RL

Motor type	Rated Power		Rated Speed	Efficiency	Power Factor	Current			Torque			Moment of inertia (J) Kg-m ²	Approx WT Kg
	KW	HP	r/min			η	cos Φ	Full Load 400 V A	Full Load 690 V A	Locked Rotor %FLC	Full Load Kg-m		
H17RL-500X1-04P	1000	1340	1490	96	88	—	990	750	654	110	220	47	6180
H17RL-500X2-04P	1120	1500	1490	96	88	—	1109	750	733	110	220	53	6480
H17RL-500X3-04P	1250	1680	1492	96	88	—	1238	750	816	90	200	60	6820
H17RL-500X4-04P	1400	1880	1492	96	88	—	1387	750	914	90	200	68	7140
H17RL-560X1-04P	1400	1880	1492	96	89	—	1371	750	914	90	200	75	8100
H17RL-560X2-04P	1600	2140	1492	96	89	—	1567	750	1046	80	200	83	8500
H17RL-560X3-04P	1800	2410	1492	96	89	—	1763	750	1177	80	200	92	9050
H17RL-315X1-06P	200	270	990	95,8	85	355	206	650	197	140	200	4	1740
H17RL-315X2-06P	220	295	990	95,8	85	390	226	650	217	140	200	5	1850
H17RL-315X3-06P	250	335	990	95,8	85	443	257	650	246	140	200	6	1970
H17RL-315X4-06P	280	375	990	95,8	85	496	288	650	276	140	200	7	2120
H17RL-355X1-06P	315	420	990	95,8	85	558	324	650	310	130	200	14	2410
H17RL-355X2-06P	355	475	990	95,8	85	629	365	650	349	130	200	15	2650
H17RL-355X3-06P	400	535	990	95,8	85	709	411	650	394	130	200	16	2800
H17RL-400X1-06P	450	605	990	95,8	86	788	457	680	443	120	200	24	3650
H17RL-400X2-06P	500	670	990	95,8	86	876	508	680	492	120	200	26	3750
H17RL-400X3-06P	560	750	990	95,8	86	981	569	680	511	120	200	28	3880
H17RL-450X1-06P	630	845	990	95,8	86	1104	640	700	620	110	200	47	4800
H17RL-450X2-06P	710	950	990	95,8	86	1244	721	700	699	110	200	50	5000
H17RL-450X3-06P	800	1070	990	95,8	86	1402	813	700	787	110	200	53	5250
H17RL-500X1-06P	900	1205	990	95,8	86	—	914	700	886	100	200	89	6750
H17RL-500X2-06P	1000	1340	990	95,8	86	—	1016	700	984	100	200	96	7020
H17RL-500X3-06P	1120	1500	990	95,8	86	—	1138	700	1102	100	200	103	7300
H17RL-560X1-06P	1250	1680	992	95,8	86	—	1270	700	1228	90	200	120	8300
H17RL-560X2-06P	1400	1880	992	95,8	86	—	1422	700	1375	90	200	140	8600
H17RL-560X3-06P	1600	2140	992	95,8	86	—	1625	700	1572	90	200	160	9150
H17RL-315X1-08P	160	215	740	94,3	78	314	182	650	211	130	200	4	1740
H17RL-315X2-08P	180	240	740	94,3	78	353	205	650	237	130	200	5	1850



Technical data H17RL

Motor type	Rated Power		Rated Speed	Efficiency	Power Factor	Current			Torque			Moment of inertia (J) Kg-m ²	Approx WT Kg
	KW	HP	r/min	η	cos Φ	Full Load 400 V A	Full Load 690 V A	Locked Rotor %FLC	Full Load Kg-m	Locked Rotor %FLT	Pull Out %FLT		
H17RL-315X3-08P	200	270	740	94,6	78	391	227	650	263	130	200	6	1970
H17RL-315X4-08P	220	295	740	94,6	78	430	249	650	290	130	200	7	2120
H17RL-355X1-08P	250	335	740	94,7	80	476	276	650	329	120	200	15	2590
H17RL-355X2-08P	280	375	740	94,8	80	533	309	650	369	120	200	16	2750
H17RL-355X3-08P	315	420	740	94,9	80	599	347	650	415	120	200	17	2970
H17RL-400X1-08P	355	475	742	95,1	81	665	386	650	466	120	200	24	3410
H17RL-400X2-08P	400	535	742	95,2	81	749	434	650	525	120	200	26	3560
H17RL-400X3-08P	450	605	742	95,3	81	841	488	650	591	120	200	28	3800
H17RL-450X1-08P	500	670	742	95,4	81	934	541	650	657	120	200	47	4760
H17RL-450X2-08P	560	750	742	95,5	81	1045	606	650	735	120	200	49	5080
H17RL-450X3-08P	630	845	742	95,5	81	1176	681	650	827	120	200	51	5430
H17RL-500X1-08P	630	845	744	95,5	81	1176	681	650	825	110	200	88	5780
H17RL-500X2-08P	710	950	744	95,6	82	1307	758	650	930	110	200	96	6080
H17RL-500X3-08P	800	1070	744	95,7	82	1471	853	650	1048	110	200	104	6440
H17RL-500X4-08P	900	1205	744	95,7	82	–	960	650	1179	110	200	112	6760
H17RL-560X1-08P	900	1205	744	95,8	82	–	959	650	1179	110	200	132	7800
H17RL-560X2-08P	1000	1340	745	95,8	82	–	1065	650	1308	100	200	145	8210
H17RL-560X3-08P	1120	1500	745	95,8	82	–	1193	650	1465	100	200	160	8610
H17RL-560X4-08P	1250	1680	745	95,8	82	–	1331	650	1635	100	200	175	9120
H17RL-355X1-10P	180	240	590	94	75	369	214	600	297	120	200	15	2380
H17RL-355X2-10P	200	270	590	94,1	75	409	237	600	330	120	200	16	2500
H17RL-355X3-10P	220	300	590	94,2	75	449	261	600	372	120	200	17	2660
H17RL-355X4-10P	250	335	590	94,3	75	510	296	600	413	120	200	18	2850
H17RL-400X1-10P	250	335	592	94,3	75	510	296	600	461	120	200	24	3310
H17RL-400X2-10P	280	375	592	94,5	78	548	318	600	461	120	200	26	3490
H17RL-400X3-10P	315	420	592	94,6	78	616	357	600	519	120	200	28	3670
H17RL-400X4-10P	355	475	592	94,7	78	694	402	600	584	120	200	31	3970

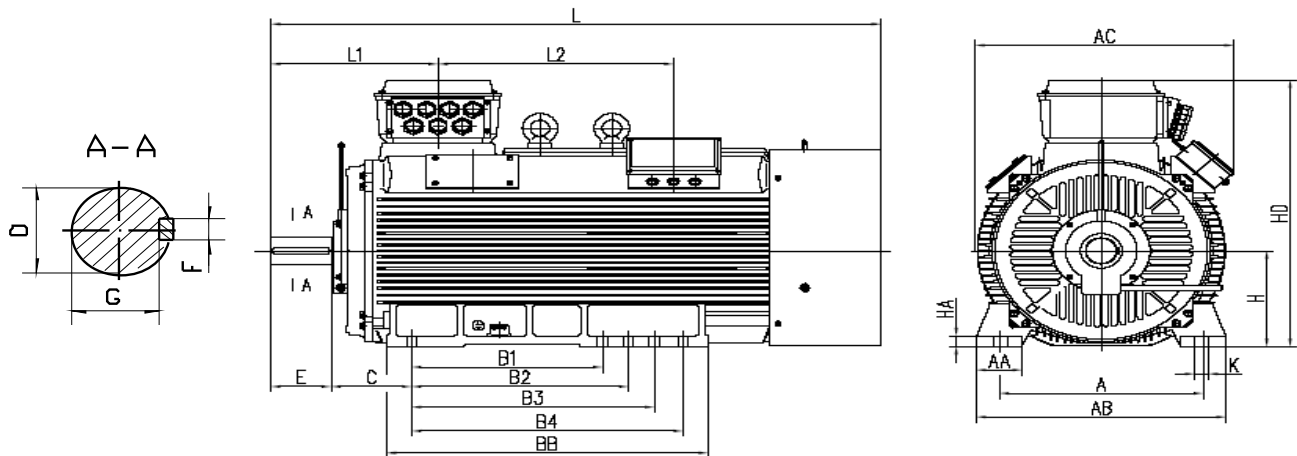


Technical data H17RL

Motor type	Rated Power		Rated Speed	Efficiency	Power Factor	Current			Torque			Moment of inertia	Approx WT
	KW	HP	r/min			cos Φ	Full Load 400 V	Full Load 690 V	Locked Rotor	Full Load	Locked Rotor		
				η		A	A	%FLC	Kg-m	%FLT	%FLT	(J) Kg-m ²	Kg
H17RL-450X1 -10P	400	535	592	94,8	79	771	447	600	658	110	200	48	5070
H17RL-450X2-10P	450	605	592	94,8	79	867	503	600	741	110	200	50	5250
H17RL-450X3-10P	500	670	592	94,9	79	963	558	600	823	110	200	53	5460
H17RL-500X1 -10P	500	670	592	95	79	962	557	600	823	110	200	76	5800
H17RL-500X2-10P	560	750	592	95,1	80	1062	616	600	922	110	200	82	6170
H17RL-500X3-10P	630	845	592	95,2	80	1194	692	600	1037	110	200	87	6400
H17RL-500X4-10P	710	950	592	95,3	80	1344	779	600	1169	110	200	92	6720
H17RL-560X1 -10P	710	1070	595	95,4	80	1343	778	600	1169	100	200	126	8200
H17RL-560X2-10P	800	1070	595	95,4	80	–	877	600	1310	100	200	138	8200
H17RL-560X3-10P	900	1210	595	95,5	80	–	986	600	1474	100	200	150	8610
H17RL-560X4-10P	1000	1340	595	95,6	80	–	1094	600	1638	100	200	162	9120
H17RL-355X1 -12P	132	175	490	94,3	71	285	165	550	263	110	200	16	2450
H17RL-355X2-12P	160	215	490	94,4	71	345	200	550	318	110	200	17	2660
H17RL-355X3-12P	180	240	490	94,5	71	387	224	550	358	110	200	18	2850
H17RL-400X1 -12P	200	270	492	94,6	72	424	246	550	396	110	200	24	3300
H17RL-400X2-12P	225	300	492	94,7	72	476	276	550	446	110	200	26	3450
H17RL-400X3-12P	250	335	492	94,8	72	529	306	550	495	110	200	28	3600
H17RL-400X4-12P	280	375	492	94,8	72	592	343	550	555	110	200	31	3900
H17RL-450X1 -12P	315	420	492	94,9	73	656	380	550	624	100	180	47	4870
H17RL-450X2-12P	355	475	492	95	73	739	428	550	703	100	180	48	5070
H17RL-450X3-12P	400	535	492	95	73	833	483	550	792	100	180	50	5250
H17RL-500X1 -12P	450	605	492	95,1	74	923	535	550	891	90	180	82	6170
H17RL-500X2-12P	500	670	492	95,2	74	1024	594	550	990	90	180	87	6400
H17RL-500X3-12P	560	750	492	95,2	74	1147	665	550	1109	90	180	92	6720
H17RL-560X1 -12P	630	840	495	95,3	75	–	738	600	1240	90	180	125	8200
H17RL-560X2-12P	710	950	495	95,4	75	–	830	600	1398	90	180	135	8610
H17RL-560X3-12P	800	1070	495	95,5	75	–	935	600	1575	90	180	150	9120



Outline and installation dimensions (H17RL) B3



Installation dimensions

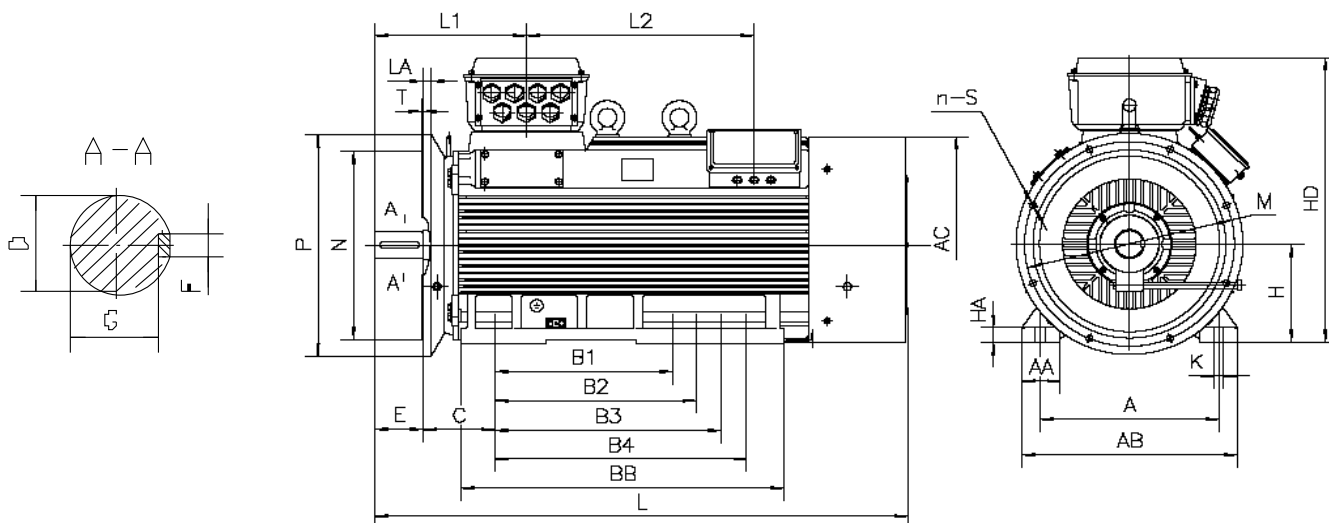
Frame size	Pole	A	B1	B2	B3	B4	B5	C	D	E	F	G	H	K				
315	2	508/560	457	508	630	710	800	216±4	65	+0.030 +0.011	140±0.5	18	0 -0.2	58	0 -0.2	250	24	0 -0.2
315	4	508/560	457	508	630	710	800	216±4	90	+0.035 +0.013	170±0.5	20	0 -0.2	67,5	0 -0.2	250	24	0 -0.2
355	2	630±1.4	630	710	800	—	—	254±4	75	+0.030 +0.011	140±0.5	18	0 -0.2	58	0 -0.2	280	24	0 -0.2
355	4-12	630±1.4	630	710	800	—	—	254±4	100	+0.035 +0.013	210±0.57	22	0 -0.2	71	0 -0.2	280	24	0 -0.2
400	2	686/710	710	800	900	—	—	280±4	80	+0.035 +0.013	170±0.5	20	0 -0.2	62,5	0 -0.2	315	28	0 -0.2
400	4-12	686/710	710	800	900	—	—	280±4	110	+0.035 +0.013	210±0.57	25	0 -0.2	81	0 -0.2	315	28	0 -0.2
450	2	800±1.75	900	1000	1120	1250	—	280±4	95	+0.035 +0.013	170±0.5	20	0 -0.2	62,5	0 -0.2	315	28	0 -0.2
450	4-12	800±1.75	900	1000	1120	1250	—	280±4	120	+0.035 +0.013	210±0.57	25	0 -0.2	81	0 -0.2	315	28	0 -0.2
500	4-12	900±2.1			1250±2.1			315±4	140	+0.04 +0.015	250±0.57	22	0 -0.3	71	0 -0.3	355	28	0 -0.3
560	4-12	1000±2.1			1400±2.1			355±4	160	+0.04 +0.015	300±0.65	28	0 -0.3	90	0 -0.3	355	28	0 -0.3

Outline dimensions

Frame size	Pole	AC	AA	AB	BB	HA	HD	L1	L2	L
315	2	750	120	680	1080	45	845	85	797	1790
315	4	750	120	680	1080	45	845	85	797	1820
355	2	830	135	760	1140	52	1020	95	841	1880
355	4-12	830	135	760	1140	52	1020	95	841	1910
400	2	895	160	870	1200	50	1100	112	700	2000
400	4-12	895	160	870	1200	50	1100	112	700	2040
450	2	1035	225	980	1495	45	1290	112	921	2380
450	4-12	1035	225	980	1495	45	1290	112	921	2420
500	4-12	1095	180	1080	1600	65	1365	120	980	2560
560	4-12	1195	210	1170	1680	76	1480	120	970	2700



Outline and installation dimensions (H17RL) B35



Installation dimensions

Frame size	Pole	A	B1	B2	B3	B4	B5	C	D	E	F	G	H	K				
315	2	508/560	457	508	630	710	800	216±4	65	^{+0.030} / _{+0.011}	140±0.5	18	⁰ / _{-0.043}	58	⁰ / _{-0.2}	315	⁰ / ₋₁	28°54
315	4	508/560	457	508	630	710	800	216±4	90	^{+0.035} / _{+0.013}	170±0.5	25	⁰ / _{-0.052}	81	⁰ / _{-0.2}	315	⁰ / ₋₁	28°54
355	2	630±1.4	630	710	800	—	—	254±4	75	^{+0.030} / _{+0.011}	140±0.5	20	⁰ / _{-0.052}	67.5	⁰ / _{-0.2}	355	⁰ / ₋₁	35° ^{+0.52} / ₀
355	4-12	630±1.4	630	710	800	—	—	254±4	100	^{+0.035} / _{+0.013}	210±0.57	28	⁰ / _{-0.052}	90	⁰ / _{-0.2}	355	⁰ / ₋₁	28°54
400	2	686/710	710	800	900	—	—	280±4	80	^{+0.035} / _{+0.013}	170±0.5	22	⁰ / _{-0.052}	71	⁰ / _{-0.2}	400	⁰ / ₋₁	28°54
400	4-12	686/710	710	800	900	—	—	280±4	110	^{+0.035} / _{+0.013}	210±0.57	28	⁰ / _{-0.052}	100	⁰ / _{-0.2}	400	⁰ / ₋₁	35°54
450	2	750±1.75	900	1000	1120	1250	—	280±4	95	^{+0.035} / _{+0.013}	170±0.5	25	⁰ / _{-0.052}	86	⁰ / _{-0.2}	450	⁰ / ₋₁	35°75
450	4-12	750±1.75	900	1000	1120	1250	—	280±4	120	^{+0.035} / _{+0.013}	210±0.57	32	⁰ / _{-0.062}	109	⁰ / _{-0.2}	450	⁰ / ₋₁	35°75
500	4-12	900±2.1			1250±2.1			315±4	140	^{+0.04} / _{+0.015}	250±0.57	36	⁰ / _{-0.062}	128	⁰ / _{-0.3}	500	⁰ / ₋₁	42°60
560	4-12	1000±2.1			1400±2.1			355±4	160	^{+0.04} / _{+0.015}	300±0.65	40	⁰ / _{-0.062}	147	⁰ / _{-0.3}	560	⁰ / ₋₁	42°52

Outline dimensions

Frame size	Pole	M	N	P	S	T	LA	AA	AB	AC	BB	HA	HD	L1	L2	L
315	2	600	550	660	8-24	6	22	120	680	603	1080	45	845	462	815	1790
315	4	600	550	660	8-24	6	22	120	680	683	1080	45	845	492	815	1830
355	2	740	680	800	8-24	6	25	135	760	790	1140	52	1045	508	824	1200
355	4-12	740	680	800	8-24	6	25	135	760	790	1140	52	1045	538	824	1940
400	2	940	880	1000	8-28	6	28	160	870	875	1200	45	1125	512	830	2000
400	4-12	940	880	1000	8-28	6	28	160	870	875	1200	45	1125	572	830	2120
450	2	1080	1000	1150	8-28	6	30	225	980	1035	1495	45	1310	570	1021	2320
450	4-12	1080	1000	1150	8-28	6	30	225	980	1035	1495	45	1310	610	1021	2390
500	4-12	1180	1120	1250	8-28	7	32	180	1080	1095	1600	65	1365	662	1107	2560
560	4-12	1180	1120	1250	8-28	7	32	210	1170	1182	1680	76	1480	710	1127	2700





Address

VYBO ELECTRIC a. s. | tel: +421 944 105 361
Radlinského 18 | e-mail: mv@vyboelectric.eu
052 01 Spišská Nová Ves
Slovenská republika

www.vyboelectric.com



SOLUTIONS FOR INDUSTRY

BUREAU VERITAS
Certification



VYBO Electric a.s.
Radlinského 18, 052 01 Spišská Nová Ves
Slovak Republic

Bureau Veritas Certification Holding SAS – UK Branch certifies that the Management System of the above organisation has been audited and found to be in accordance with the requirements of the management system standards detailed below

ISO 14001: 2015

Scope of certification

MANUFACTURE AND SALE OF ELECTRIC MOTORS. SALES AND DEVELOPMENT OF VARIABLE FREQUENCY DRIVES.

Original cycle start date: 18.05.2022
Expiry date of previous cycle: N/A
Certification Audit date: 31.03.2022
Certification cycle start date: 18.05.2022

Subject to the continued satisfactory operation of the organization's Management System, this certificate expires on: 17.05.2025

Certificate No. SK-U22 055E Version: 1 Issue date: 18.05.2022

Certification body address: 5th Floor, 66 Prescot Street, London E1 8HQ, United Kingdom
Local office: Plynárenská 7/B, BRATISLAVA 821 09, Slovak Republic



Further clarifications regarding the scope of this certificate and the applicability of the management system requirements may be obtained by consulting the organisation. To check this certificate validity please call: +421 2 5341 4165

Page 1 of 1



Bureau Veritas Certification

Certificate

Awarded to

VYBO Electric a.s.
Radlinského 18, 052 01 Spišská Nová Ves
Slovak Republic

BUREAU VERITAS CERTIFICATION (Z) s.r.o. certifies that the Management System of the above organisation has been assessed and found to be in accordance with the requirements of the management system standard detailed below

Standard
ISO 45001:2018

Scope of supply

MANUFACTURE AND SALE OF ELECTRIC MOTORS. SALES AND DEVELOPMENT OF VARIABLE FREQUENCY DRIVES.

Original Approval Date: 18-05-2022
Expiry date of previous cycle: N/A
Certification Cycle Start Date: 18-05-2022
Certification Cycle End Date: 17-05-2025
Subject to the continued satisfactory operation of the organisation's Management System, this certificate is valid until: 17-05-2025

To check this certificate validity please call: +420 210 098 215

Further clarifications regarding the scope of this certificate and the applicability of the management system requirements may be obtained by consulting the organisation.

Version 1 Issue Date: 18-05-2022
Certificate Number: CZF - 2200117

MANAGING OFFICE: BUREAU VERITAS CERTIFICATION (Z) s.r.o., Obchodní 1, 116 09 Praha 4, Czech Republic
ISSUING OFFICE ADDRESS: BUREAU VERITAS CERTIFICATION (Z) s.r.o., Obchodní 1, 143 02 Praha 4, Czech Republic

1/1

ZERTIFIKAT ♦ CERTIFICATE ♦ 認證證書 ♦ CERTIFICADO ♦ CERTIFICAT



CERTIFICATE

TÜV SÜD Slovakia s.r.o.
Certification Body for Management Systems
Accredited by SNAS
Certificate on accreditation No. Q-011
certifies that



VYBO Electric a.s.
Radlinského 18
SK – 052 01 Spišská Nová Ves
IČO: 45 537 143

has established and applies
a Quality Management System for

**Manufacture and sale of electric motors.
Sales and development of variable frequency drives.**

An audit was performed, Report No. 2264/40/22/Q/AS/C
Proof has been furnished that the requirements
according to

STN EN ISO 9001:2016

are fulfilled. The certificate is valid from 2022-04-14 until 2025-04-13
Certificate Registration No. Q 2264-1

Bratislava, 2022-04-14

TÜV SÜD Slovakia s.r.o.
Certification Body for Management Systems
Member of Group TÜV SÜD
Jaskóva 6, 821 03 Bratislava

F-Q-019/26

Certificate SK22/3701

The management system of

VYBO Electric a.s.
Radlinského 18
052 01 Spišská Nová Ves, Slovakia

has been assessed and certified as meeting the requirements of

EN ISO 50001:2018

For the following activities

**Production & sales of electric motors.
Sales & development of variable frequency drives.**

Further clarifications regarding the scope of this certificate and the applicability of EN ISO 50001:2018 requirements may be obtained by consulting the organisation.

This certificate is valid from 7 April 2022 until 6 April 2025
and remains valid subject to satisfactory surveillance audits.
Recertification audit due a minimum of 60 days
before the expiration date.
Issue 1. Certified with SGS since 7 April 2022

Authorised by

Ing. Róbert Bodnár
Director

SGS Slovakia spol. s r. o.
Klyučská 14, 040 11 Košice, Slovakia
t +421 55 783 61 11, f +421 55 783 61 20, www.sgs.com

Page 1 of 1



This document is issued by the Company subject to its General Conditions of Certification. Services accessible at www.sgs.com and conditions. Attention is drawn to the limitations of liability, indemnification and jurisdictional issues established therein. The authenticity of this document may be verified at <http://www.sgs.com/certificates/certificate>. Any unauthorised alteration, forgery or falsification of the content or appearance of this document is unlawful and offences may be prosecuted to the fullest extent of the law.